

### SECU-3 Hi-z injectors driver

Designed by Alexey A. Shabelnikov (aka STC) . UA, Kiev.

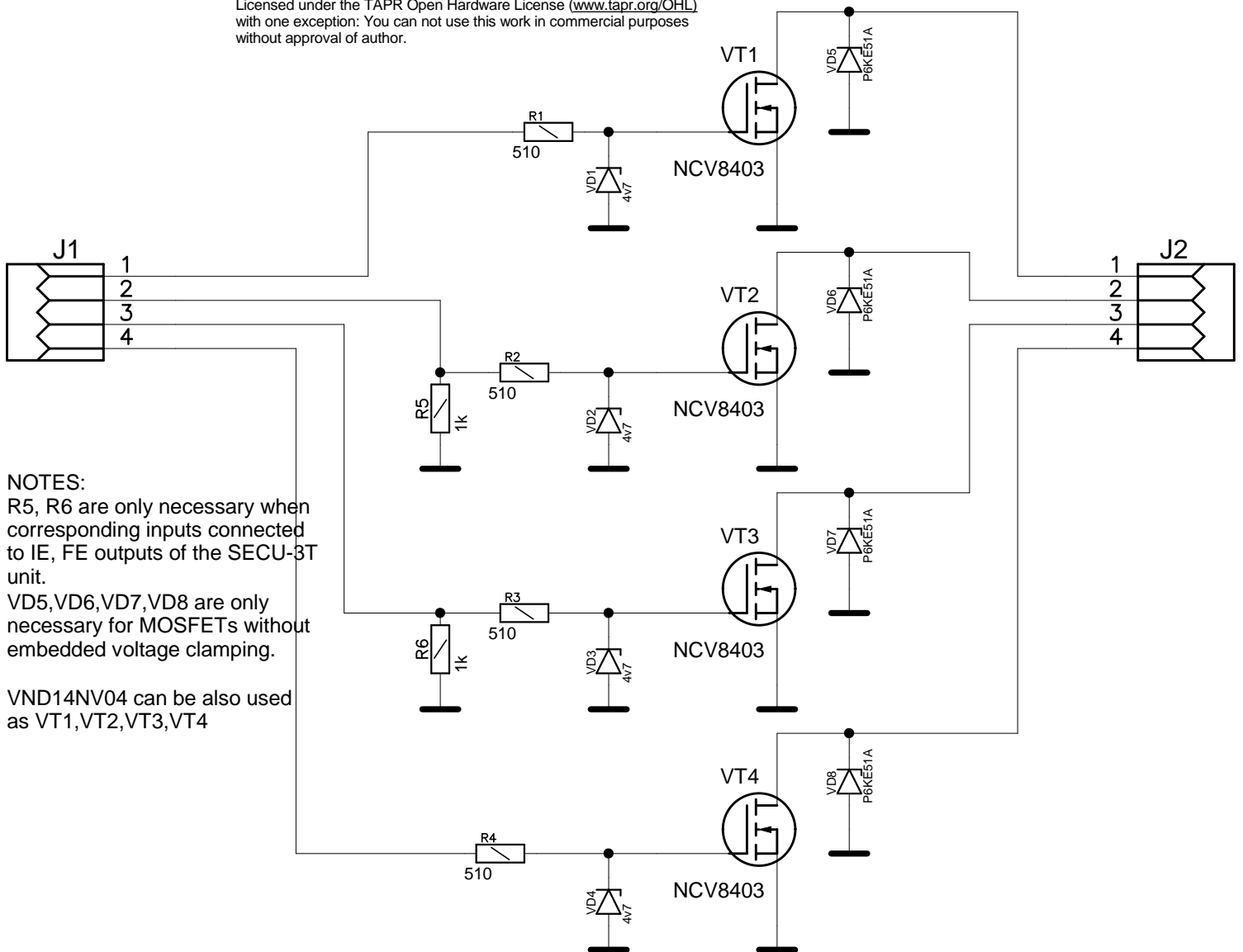
Copyright (c) 2007-2015 Alexey A. Shabelnikov.

<http://secu-3.org>, e-mail: [shabelnikov@secu-3.org](mailto:shabelnikov@secu-3.org).

Revision 1

10/02/2015

Licensed under the TAPR Open Hardware License ([www.tapr.org/OHL](http://www.tapr.org/OHL))  
with one exception: You can not use this work in commercial purposes  
without approval of author.



#### NOTES:

R5, R6 are only necessary when corresponding inputs connected to IE, FE outputs of the SECU-3T unit.

VD5,VD6,VD7,VD8 are only necessary for MOSFETs without embedded voltage clamping.

VND14NV04 can be also used as VT1,VT2,VT3,VT4