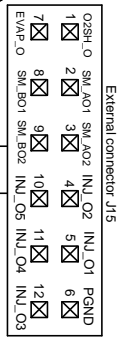
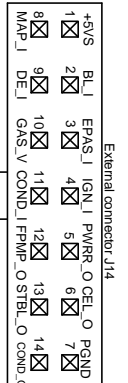
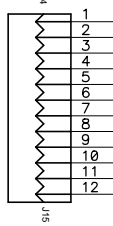
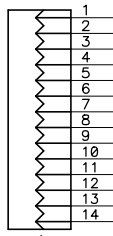
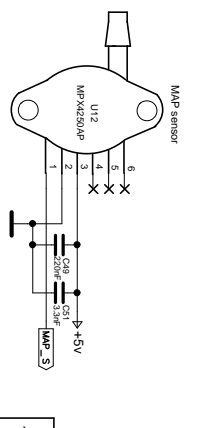
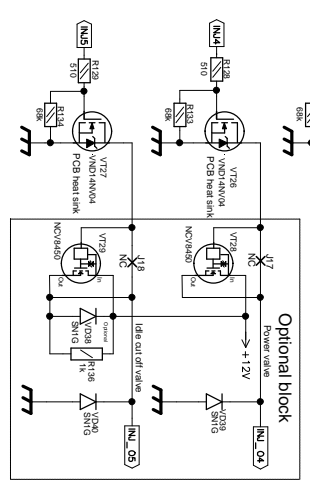
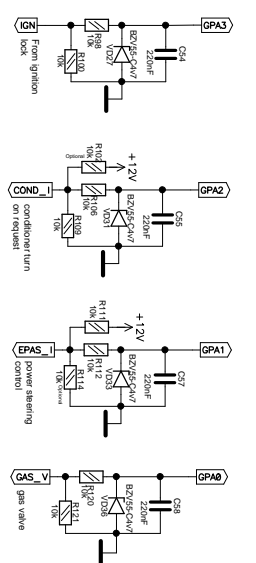
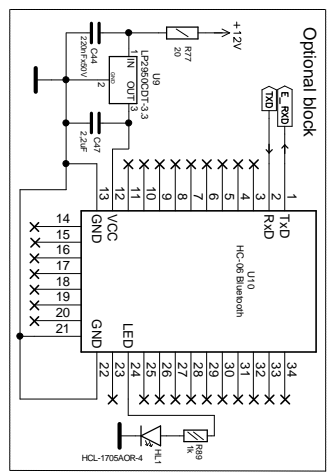
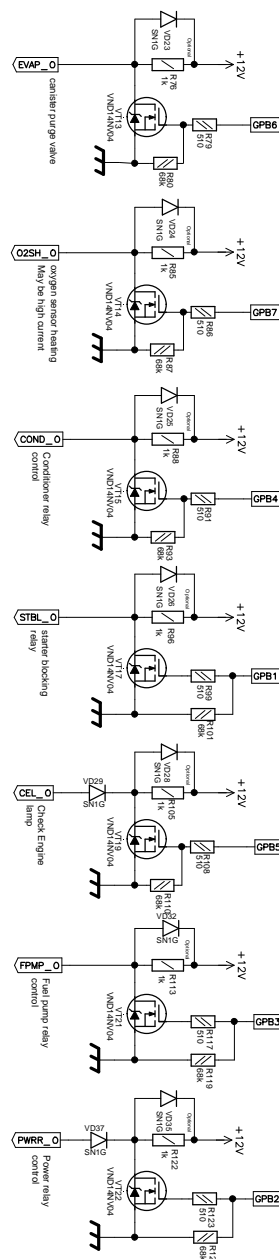
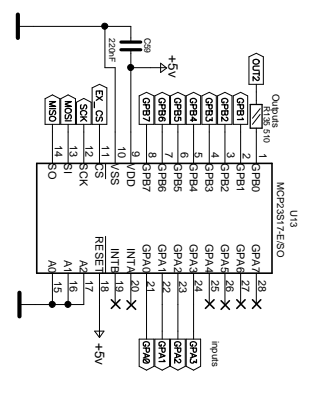
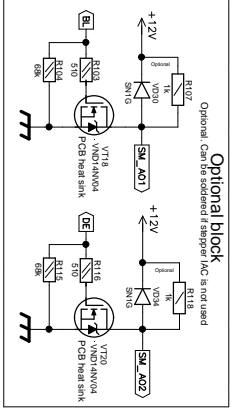
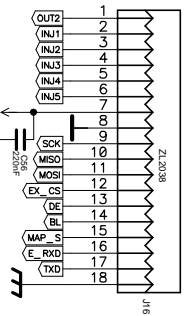
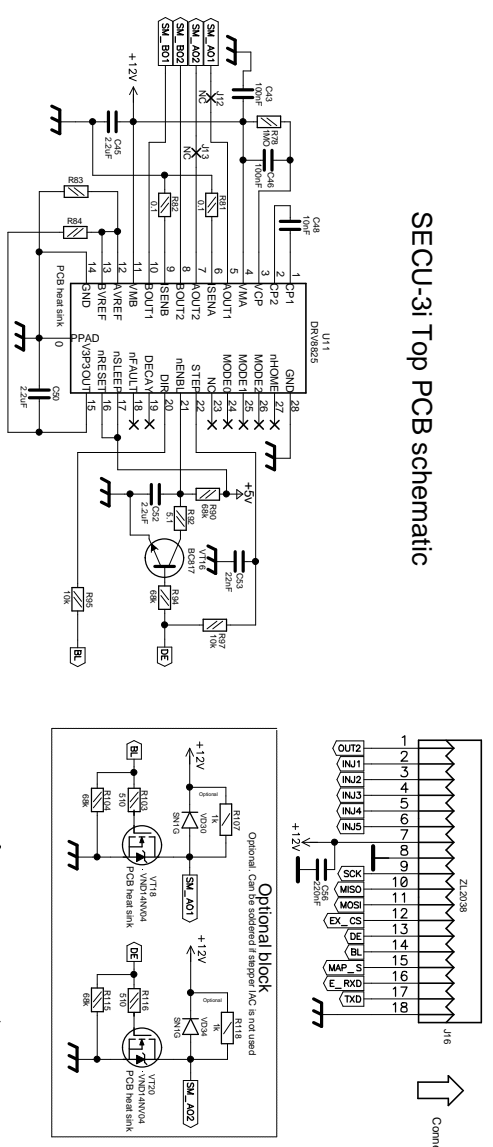


SECU-3i Top PCB schematic



Connection with bottom board

SECU-3i Engine Control Unit
 Designed and developed by Alexey A. Shobeinikov (aka STC), UA, Kiev.
 Copyright (C) 2007 - 2016 Alexey A. Shobeinikov.
<http://seu-3.org>, e-mail: shobeinikov@seu-3.org.
 Revision 0, 24/11/2015
 Licensed under the TAPR Open Hardware License (www.tapr.org/OHL) with one exception:
 You CAN NOT use this work in commercial purposes without written approval of author.