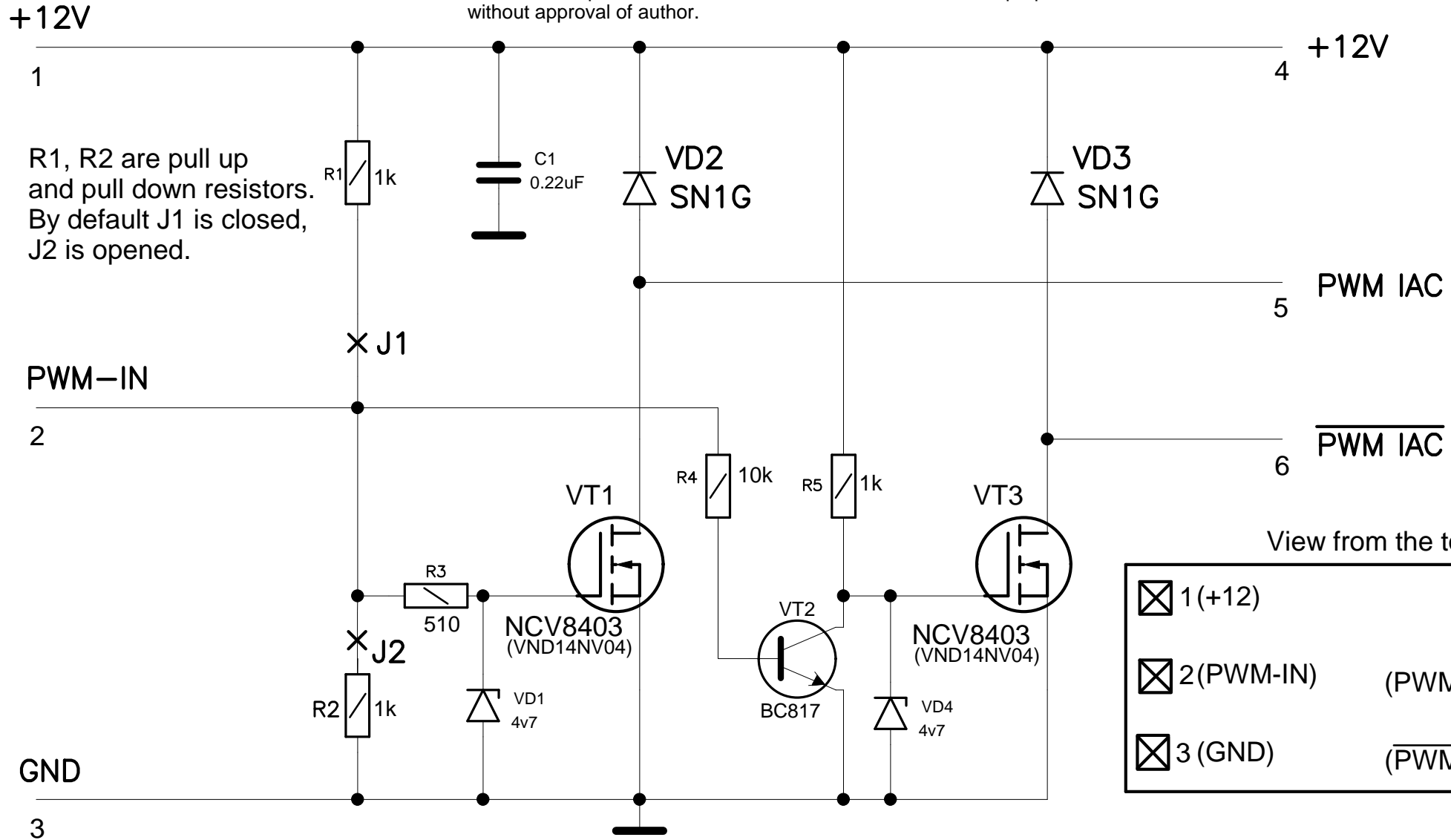


SECU-3 PWM IAC board
 Designed by Alexey A. Shabelnikov (aka STC) . UA Kiev.
 Copyright (C) 2007-2016 Alexey A. Shabelnikov.
<http://secu-3.org>, e-mail: shabelnikov@secu-3.org.

SECU-PWMIAC

Revision 0
 25/11/2016

Licensed under the TAPR Open Hardware License (www.tapr.org/OHL)
 with one exception: This work can not be used in commercial purposes
 without approval of author.



View from the top

