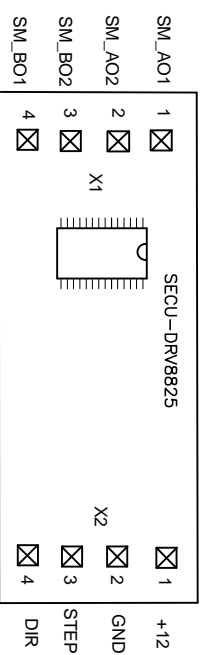
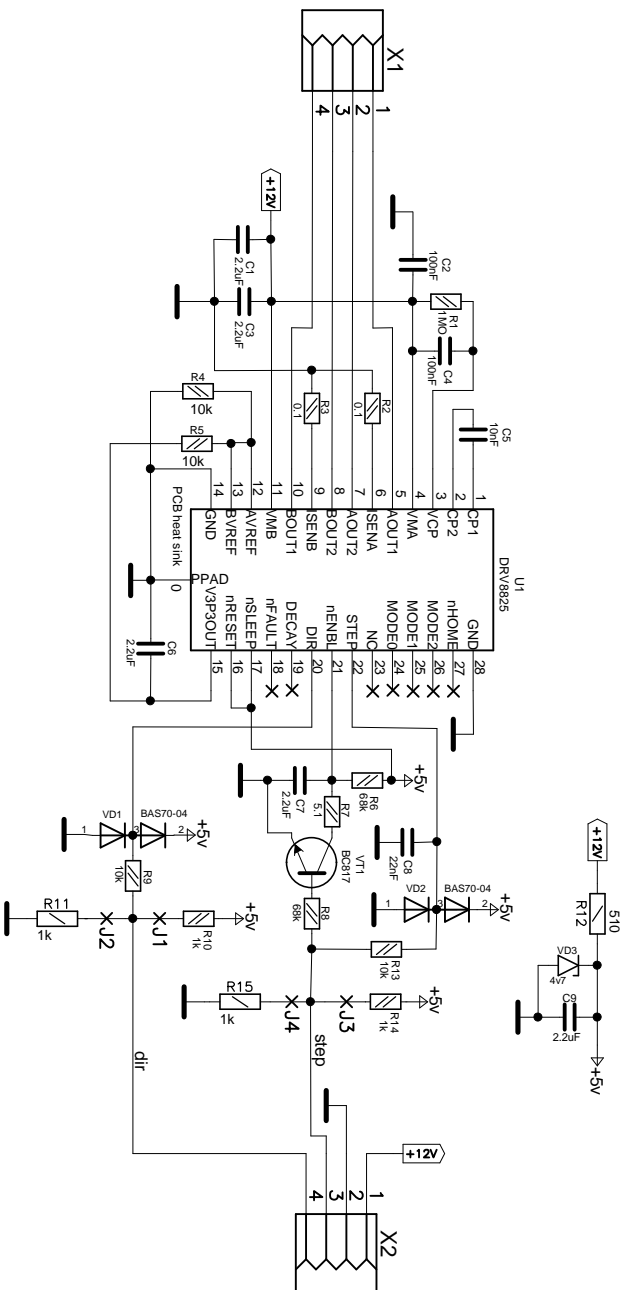


SECU-DRV8825
 Designed and developed by Alexey A. Shabelnikov (aka STC) · UA Kiev, Copyright (C) 2007-2017,
<http://secu-3.org>, e-mail: shabelnikov@secu-3.org,
 Revision 0
 26/03/2017

Licensed under the TAPR Open Hardware License (www.tapr.org/OHL) with one exception:
 This work CANNOT be used in commercial purposes without written approval of author.



PCB configuration jumpers:
 Closed (by default): J1, J3
 Opened (by default): J2, J4