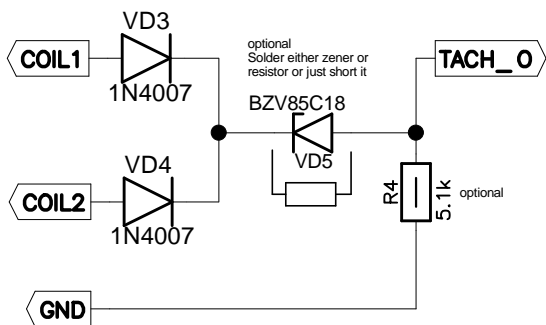
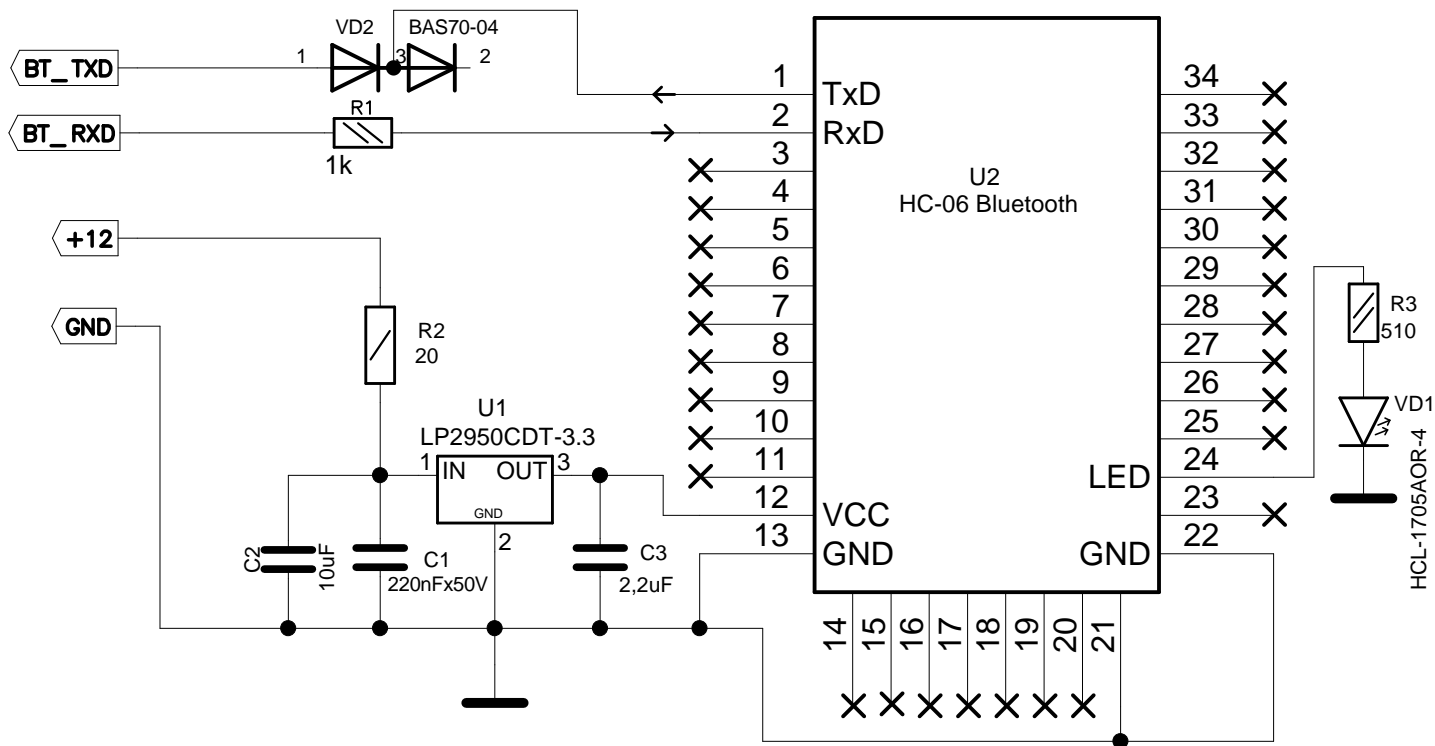


Conditioner of signal for high voltage tachometer



NOTE: VD5 and R4 are optional and soldered depending on requirements (depending on schematics of your tachometer's input)



SECU-3L Bluetooth module (SECU-3L BT)
 Designed and developed by Alexey A. Shabelnikov (aka STC), UA, Kiev.
 Copyright (C) 2007 – 2017 Alexey A. Shabelnikov.

<http://secu-3.org>, e-mail: shabelnikov@secu-3.org.

Revision 0, 03/01/2017

Licensed under the TAPR Open Hardware License (www.tapr.org/OHL), with one exception:
 You CAN NOT use this work in commercial purposes without written approval of author.