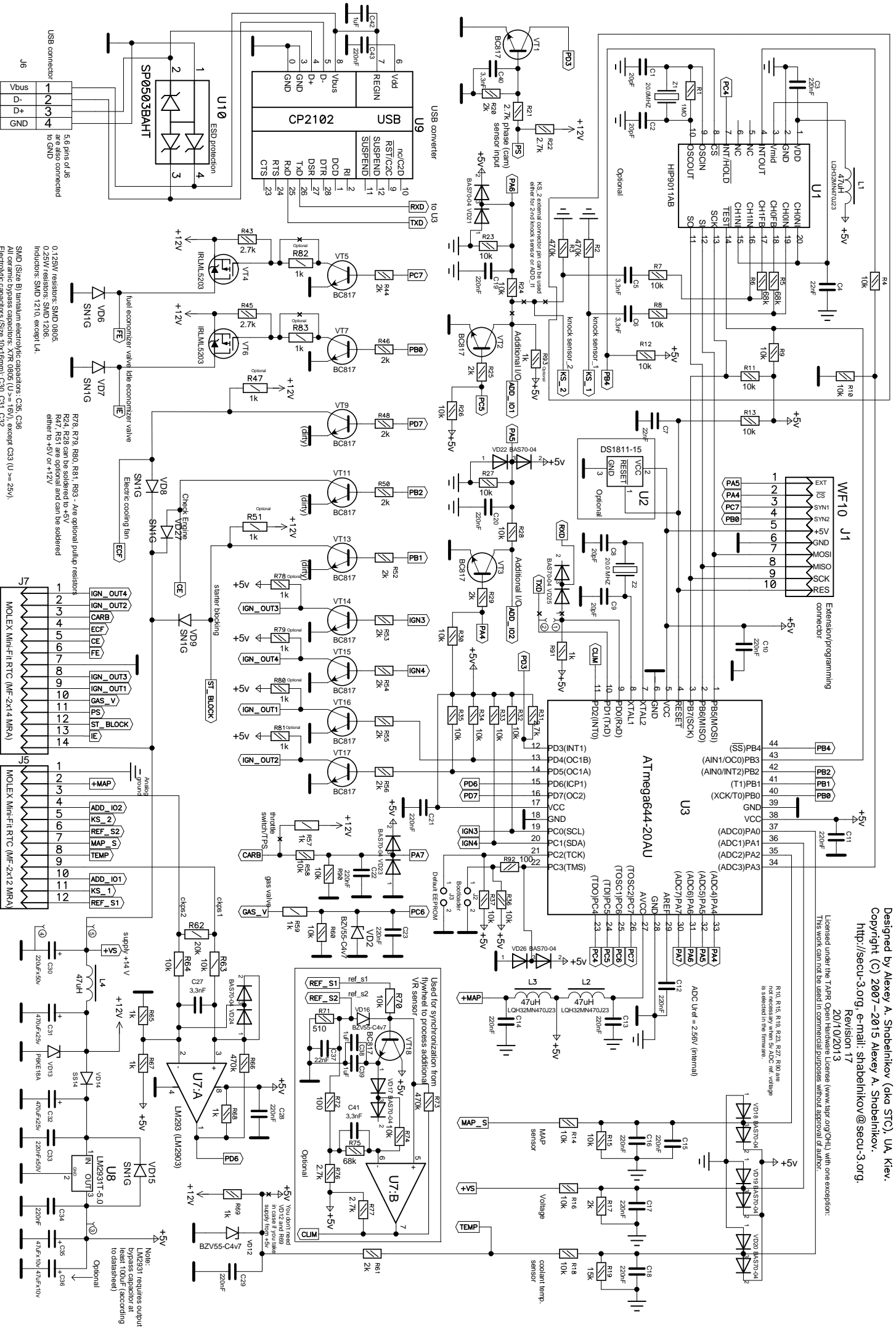


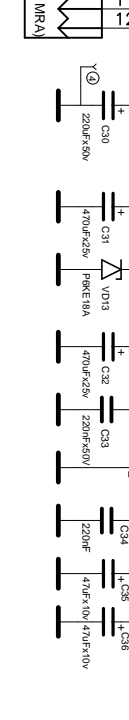
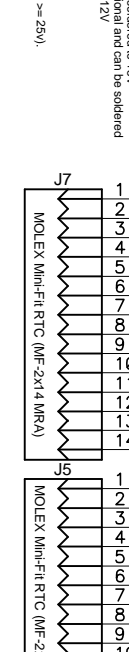
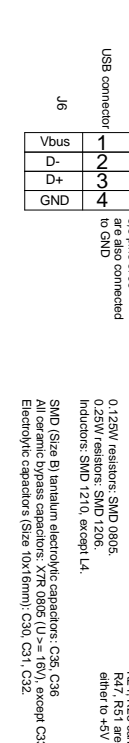
Revision 17
 20/10/2013
 Licensed under the TAPR Open Hardware License (www.tapr.org/OHL), with one exception:
 This work can not be used in commercial purposes without approval of author.



Used for synchronization from
 (by channel) to process additional
 VR sensor

Optional

Note:
 LM2931 requires output
 bypass capacitor at
 reset (100µF (according
 to datasheet))



0.125µV resistors: SMD 0805.
 0.25µV resistors: SMD 1206.
 Inductors: SMD 1210, except L4.